

## Features

- Input Voltage: 100~240VAC/140~340VDC
- Standard ultra-thin product, height 30mm
- -30~+70°C working temperature
- Approved to CE, CB, CCC, cULus
- Efficiency up to 86%
- Protection: OLP, OVP, SCP
- 3 Years Warranty



Certified to EN 62368-1/IEC 62368-1/GB 4943.1 & CE, RoHS, REACH Standards and complies with the relevant Efficiency Regulations. These are primarily used in ITE, Audio & Video Industries and customised solutions are available upon request.

### Models

Model Number	DC Voltage (V)	Output Power (W)	Input Voltage (V AC)	Efficiency (%)	Output Voltage (V)	Output Current (A)	Max Capacitive Load (µF)
64A-75FGO-5	5	60	100-240	83	5	0-12	6000
64A-75FGO -12	12	72	100-240	85	12	0-6	3600
64A-75FGO -15	15	75	100-240	85	15	0-5	3000
64A-75FGO -24	24	74.4	100-240	85	24	0-3.1	1200
64A-75FGO -36	36	75.6	100-240	86	36	0-2.1	150
64A-75FGO -48	48	76.8	100-240	86	48	0-1.6	100

#### Notes:

All parameters NOT specially mentioned re measured at 230VAC input, rated load and 25°C of ambient temperature.

### Input Specifications

Input Voltage	90-264VAC	
Rated Input Voltage (AC)	100-240VAC	
Rated Input Voltage (DC)	140-340VAC	
Input current	0.85A	100% load, 230Vac
Frequency Range	47~63Hz	
Inrush Current	120A/230/277VAC	
Leakage Current	240VAC/60Hz	

**Output Specifications**

	5v	12v	15v	24v	36v	48V
Voltage Tolerance	±2.0%		±1.0%			
Voltage adj. Range	4.5-5.5	10.8-13.2	13.5-16.5	21.6-26.4	33-39	44-52
Ripple & Noise (pk-pk)	100mV	120mV		150mV	200mV	
Default voltage	5-5.1	12-12.2	15-15.2	24-24.3	36-36.4	48-48.4
Rise Time	50ms/230VAC					
Turn on Delay Time	2500ms/230VAC					
Hold up Time	20ms/230VAC					
Line Regulation	±0.5%	All				
Load Regulation	±2.0%	3.3v, 5v				
	±1.0%	Others				

**Notes:**

Ripple & noise are measured at 20MHz f bandwidth by using a 12" twisted pair-wire terminated with a 0.1uf and 47uf parallel capacitor.

**EMS Standards**

	Notes	Standards/ Criterion		
CE	Electrostatic Discharge (ESD)	EN 61000-4-2	Air 8 kV / contact 6 kV	Criteria B
	Radio-Frequency Electromagnetic Field Susceptibility Test-RS	EN 61000-4-3	80MHz-1GHz 10V/m	Criteria B
	Electrical Fast Transient / Burst-EFT	EN 61000-4-4	±2KV, (5 or 100) kHz	Criteria B
	Surge Immunity Test	EN 61000-4-5	CM±2KV/DM ±1KV	Criteria B
	Conducted Radio Frequency Disturbances Test-CS	EN 61000-4-6	10Vr.m. s;	Criteria A
	Power Frequency Magnetic Field Test	EN61000-4-8	30A/m	Criteria A
	Voltage dips		EN61000-4-11	0%/100%/0.5 Period
70%/30%/25 Period				Criteria B
0%/100%/250 Period				Criteria B

**Notes :**

The power supply is considered a component which will be installed into a terminal equipment. All EMC tests should be confirmed with the final equipment.

**Safety & EMC**

Harmonic current	EN 61000-3-2
Conducted emissions test & radiated emissions test	EN55032
Voltage fluctuations & Flicker	EN61000-3-3
Safety standard	UL 62368-1; EN62368-1; IEC 62368-1; GB 4943.1;

**Protection**

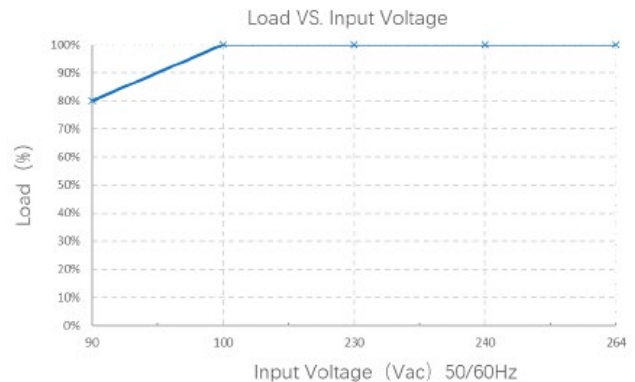
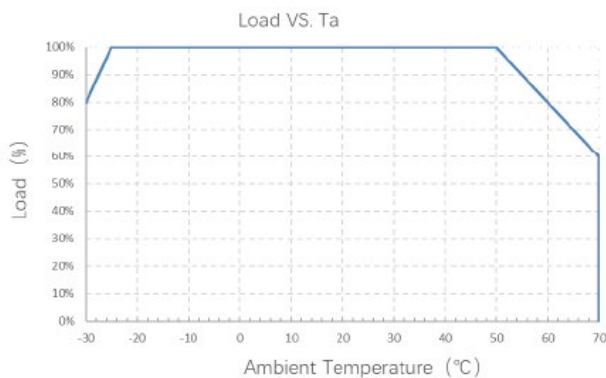
Overload protection	110% -165%
	Hiccup mode, recovers automatically after fault condition is removed
Over voltage protection	110~ 130%
	Dual voltage loop limiting. When the main voltage loop fails and causes an increase in output voltage, the secondary voltage loop (over voltage protection loop) operates in real time, limiting output voltage to a safe range of values
Short circuit protection	Power protection after short circuit at the output end, which can automatically restore output after eliminating the short circuit

**Environmental Characteristics**

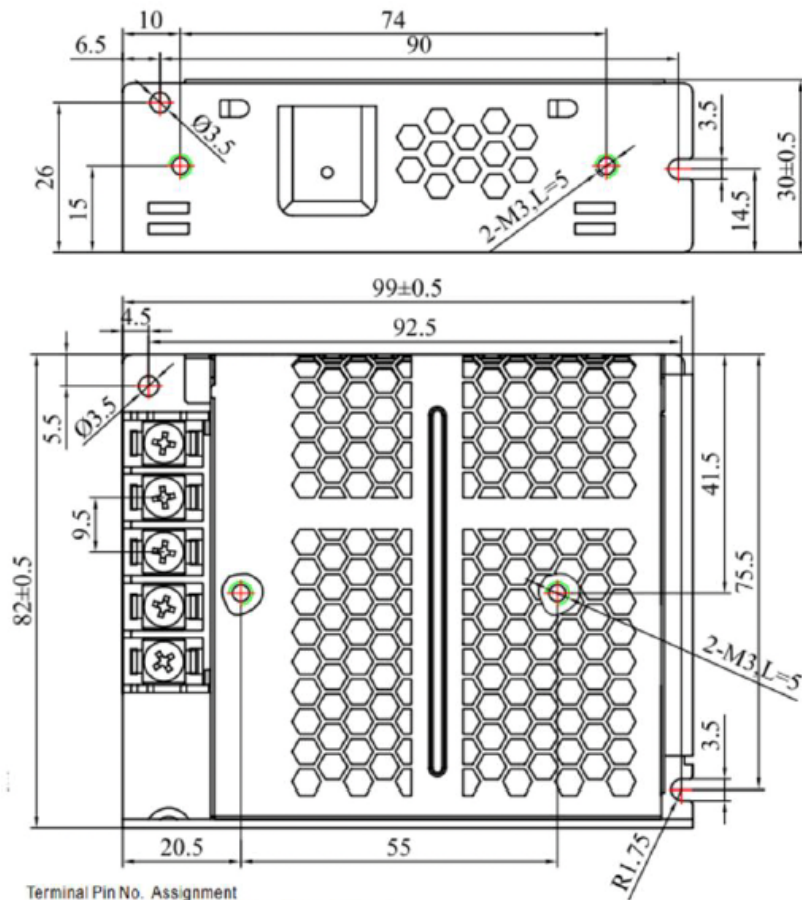
Working Temp & Humidity	-30~70°C 20%~95%RH no condensing (refer to derating curve)		
Storage Temp & Humidity	-30°C~80°C 10%~95%RH no condensing		
Altitude	5000m - The ambient temperature of derating of 0.5°C/100m for operating altitude higher than 2000m		
Dielectric test	Input-Output	3000VAC	7mA@60s
	Input- Case	1500VAC	7mA@60s
	Output-Case	500VAC	7mA@60s
Ground Resistances	0.1Ω		
Insulation Resistance	100MΩ	500VDC, 60s	

**Other Information**

MTBF	600Khrs, 230VAC, 25°C, 80% Load (MIL-HDBK-217F)		
SIZE	L99.0×W97.0×H30.0		
Weight	250g		
Output ON/OFF control	RC+ /RC-; 0-1 or short circuit or open circuit power on; 4-10v power off (optional)		
Remote voltage compensation	S+/S- ; S- are connected to the positive and negative terminals of the load respectively, and the maximum line voltage drop can be compensated to 0.2V (optional)		
Fan Control	RTH2 ≥ 50 °C± 10 °C Fan on; RTH2 ≤ 40 °C± 10 °C Fan shutdown		

**Derating Curve**

**Notes:**

To extend the service life, it is recommended to leave 30% more allowance when leading. For example, if the equipment needs 100W power, please choose the power supply over 130W.

**Dimensions and Recommended Layout**


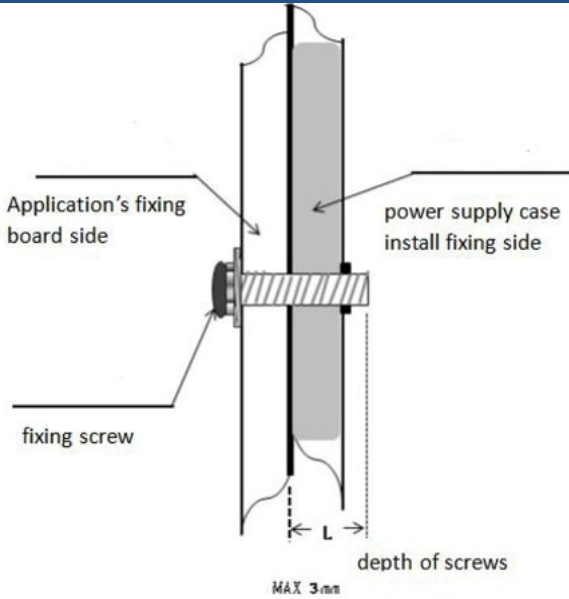
Terminal Pin No. Assignment

Pin No.	Assignment	Pin No.	Assignment
1	AC/L	4	DC OUTPUT -V
2	AC/N	5	DC OUTPUT +V
3	FG $\oplus$		

**Other Information**

PIN number	PIN Function	PIN Number	PIN Function
L	AC Line	V+	DC Output+
N	AC Neutral	V-	DC Output-
FG	Earth		

## Installation Guide

**Warning**

1. Use mounting screws by M4\*6mm, 0.8N·m
2. Max depth of screws into housing is 3mm
3. Right picture with more details.
4. Connector tightening torque:  
Input Terminal : 1.0N·m  
Output Terminal: 1.0N·m

**Instructions :**

1. Please follow the installation instructions when use the power supply.
2. Before power on test run after installation, please check and proofread the wiring on each terminal, make sure that the input and output, AC and DC, positive and negative, voltage and current values are correct, prevent the occurrence of wrong connection, and avoid damaging the power supply and user equipment.
3. Before power on, please use a multi meter to measure whether the live wire, zero wire and ground wire are short circuited, and whether the output terminal is short circuited; it is better to start without load when power on.
4. Do not exceed the nominal value of the power supply when using, so as not to affect the reliability of the product. If you need to change the output parameters of the power supply, please consult our technical department before using.
5. To ensure the safety of use and reduce interference, please ensure that the grounding terminal is reliably grounded ( ground wire please thicker than AWG18#)
6. If the power supply fails, please do not repair it without permission. Please contact us on +44 (0) 1733 309865